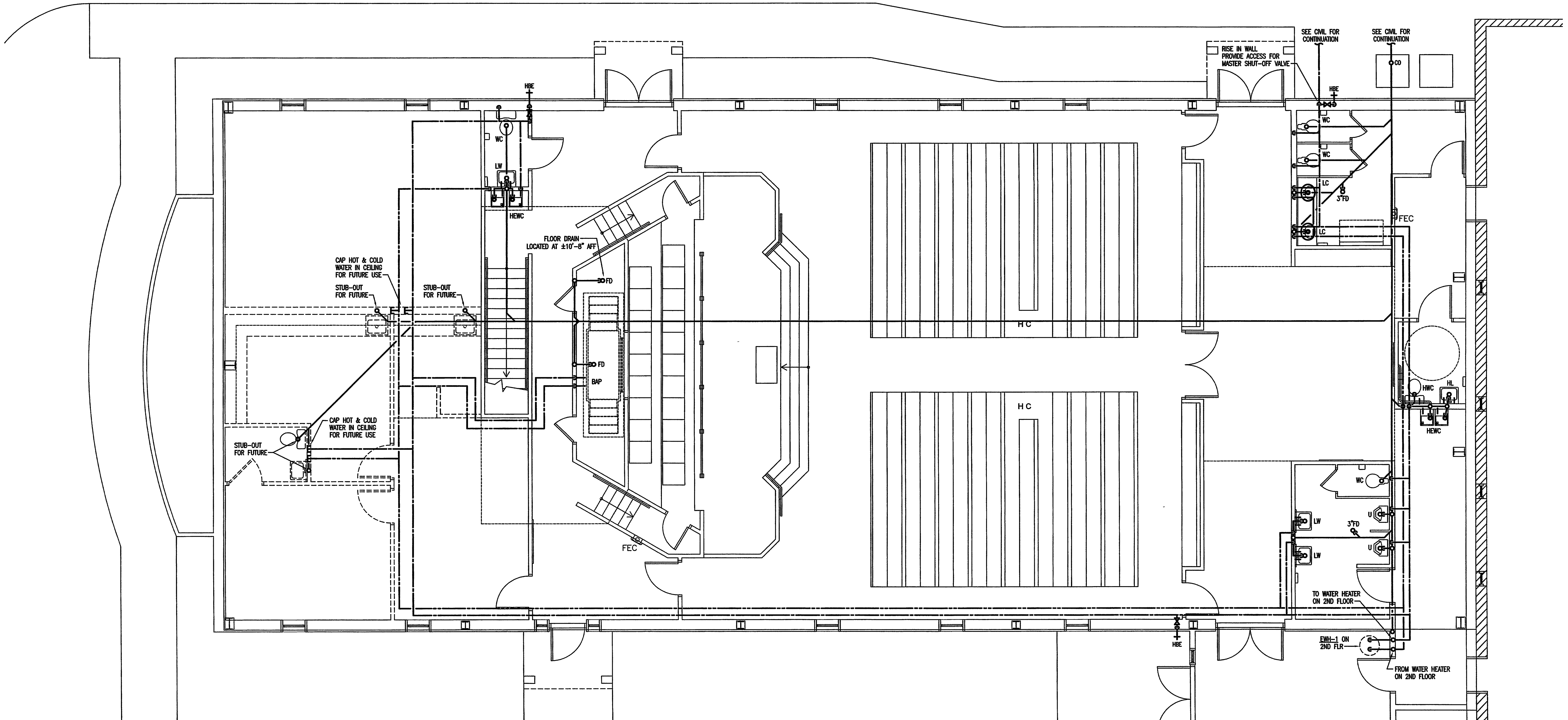
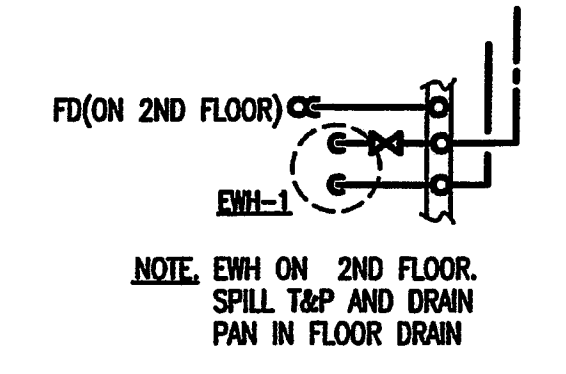


PROPRIETARY RIGHTS CAUTION: INFORMATION AND DATA CONTAINED ON THIS DRAWING IS CONFIDENTIAL AND SHALL NOT BE USED WITHOUT PRIOR WRITTEN PERMISSION BY ANY ENTITY NOT HAVING A CONTRACTUAL RELATIONSHIP WITH THE ARCHITECT. THIS LEGEND SHALL BE MARKED ON ANY REPRODUCTIONS HEREOF IN WHOLE OR IN PART. KENDRICK/DOWNING ARCHITECTS, INC. © COPYRIGHT 2007



FIRST FLOOR PLAN - PLUMBING
 SCALE 1/4"=1'-0"



11 Miracle Strip Parkway SW
 Fort Walton Beach, FL 32548
 850.244.6186V 850.244.0546F
 johnson@johnsonpeadar.com FWB
 Lpeadar@johnsonpeadar.com PC
 ALJCO-2428-E FLR0008014 GAJPEF03883 MSJE-0000882
 JPE Job Number 0719

KENDRICK
 DOWNING
 ARCHITECTS, INC.
 111 FERRY RD SE FT WALTON BEACH FL 32548
 TEL (850) 443-9188 FAX (850) 664-2574

JAMES R. DOWNING AIA
 ARCHITECT
 JAMES W. SAG
 ARCHITECT

FIRST FLOOR PLAN
 PLUMBING

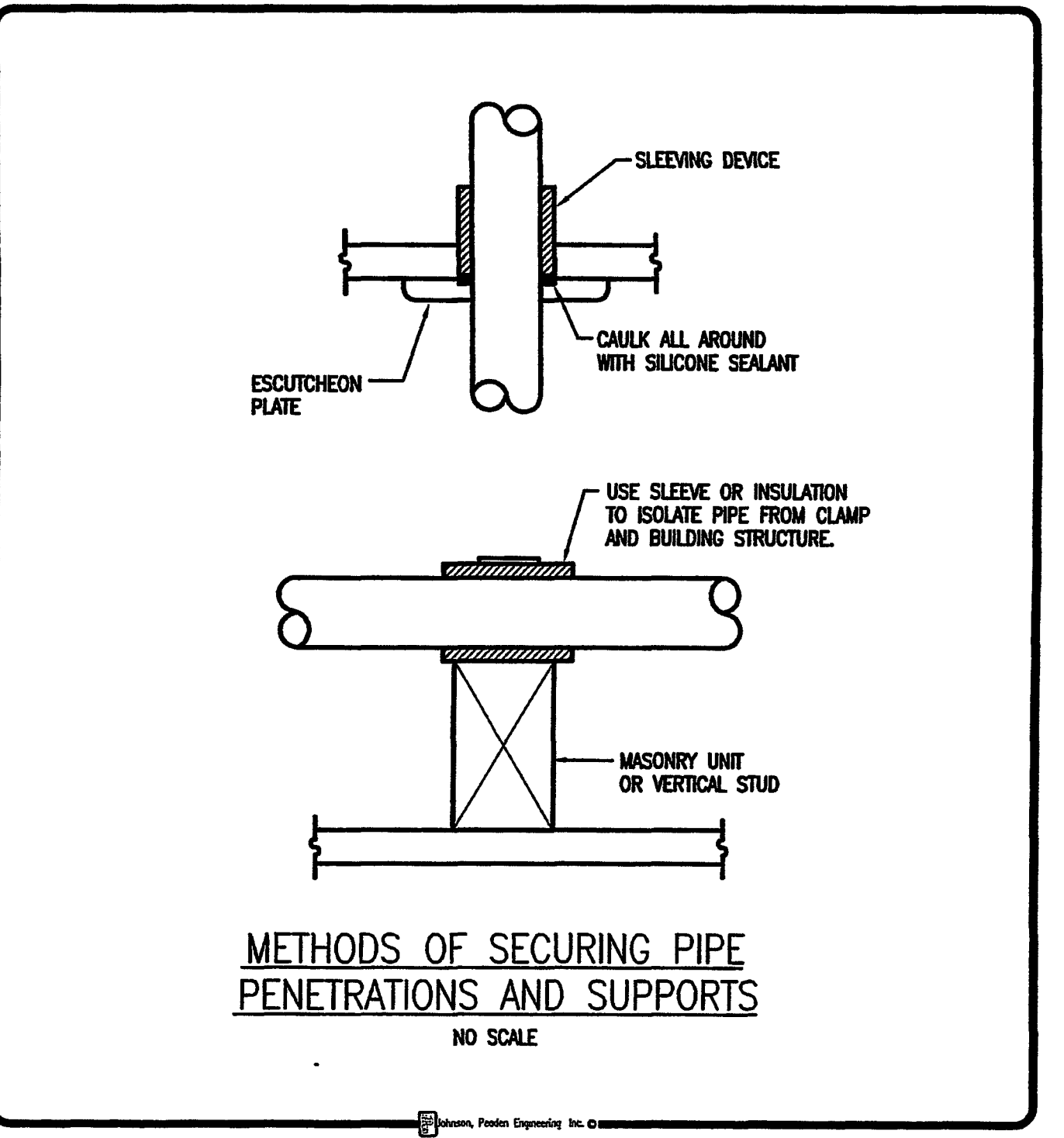
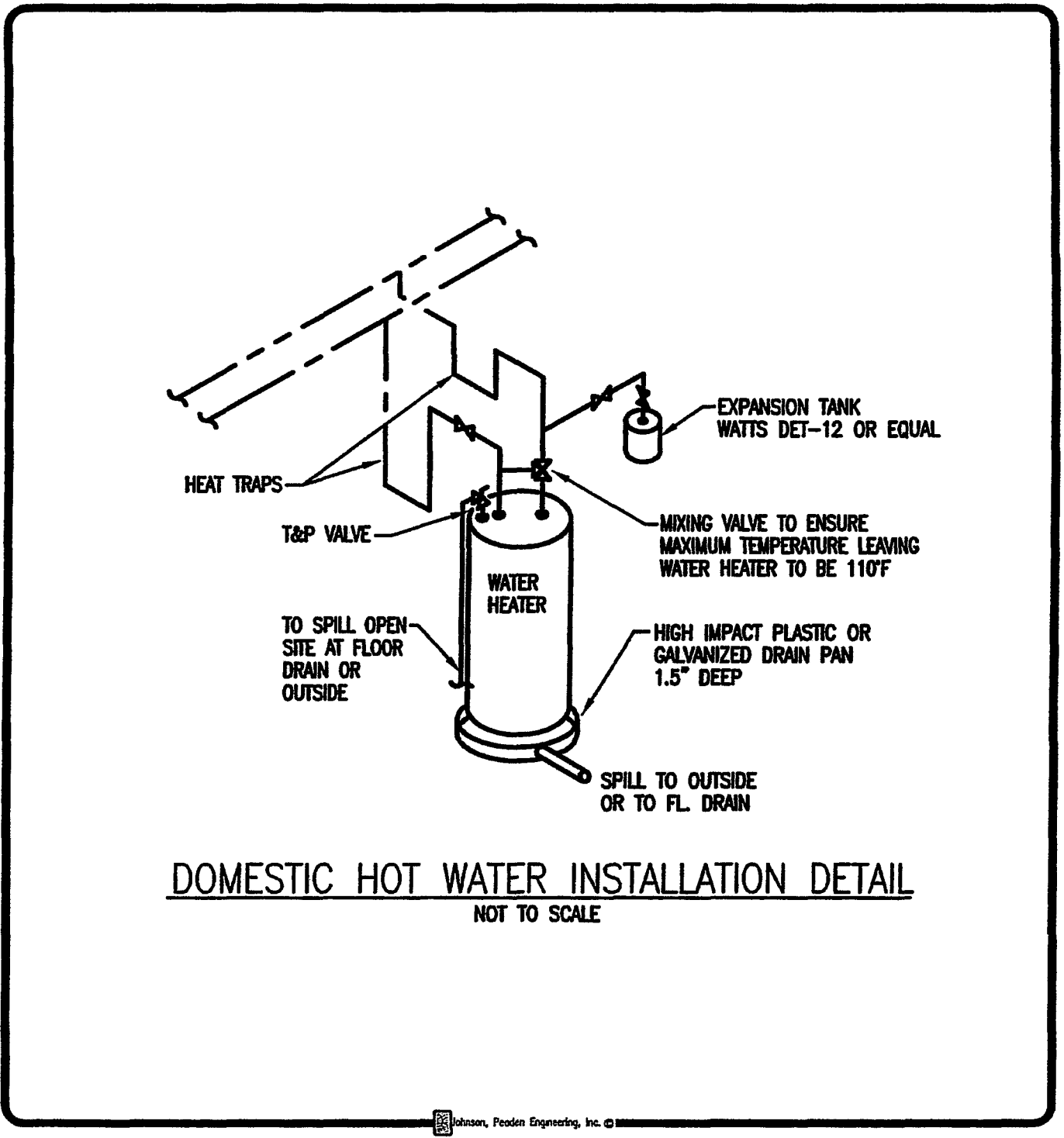
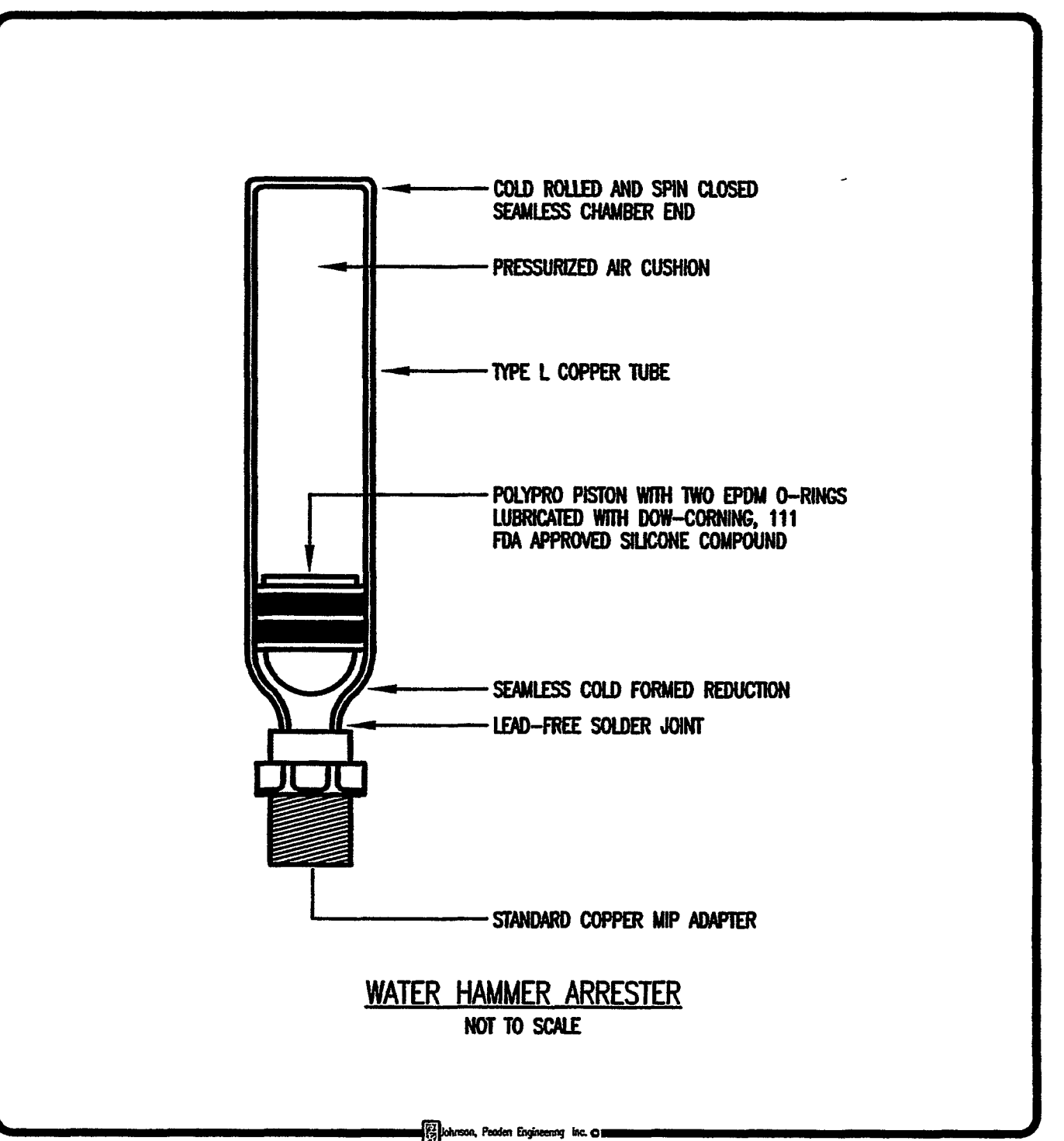
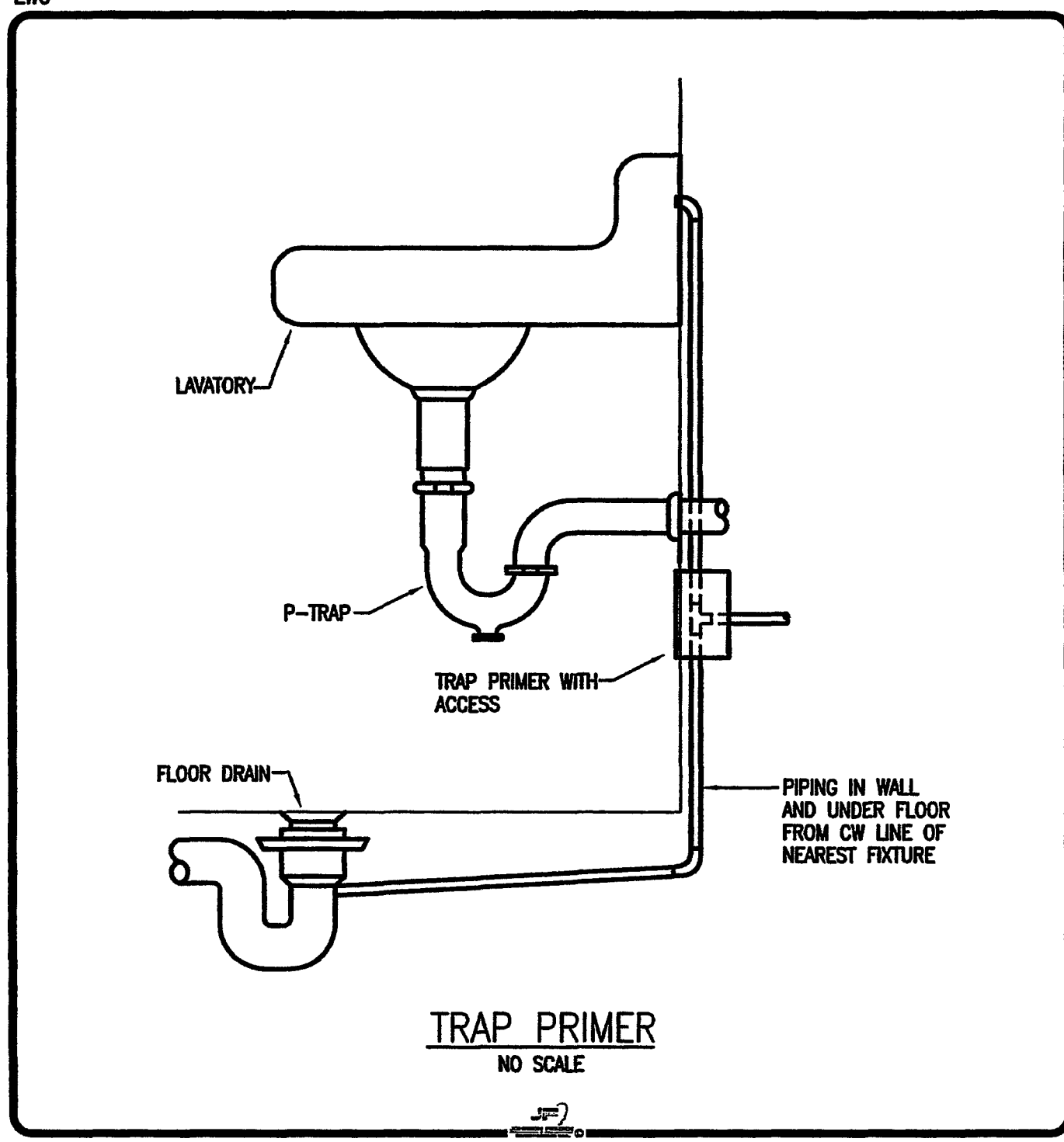
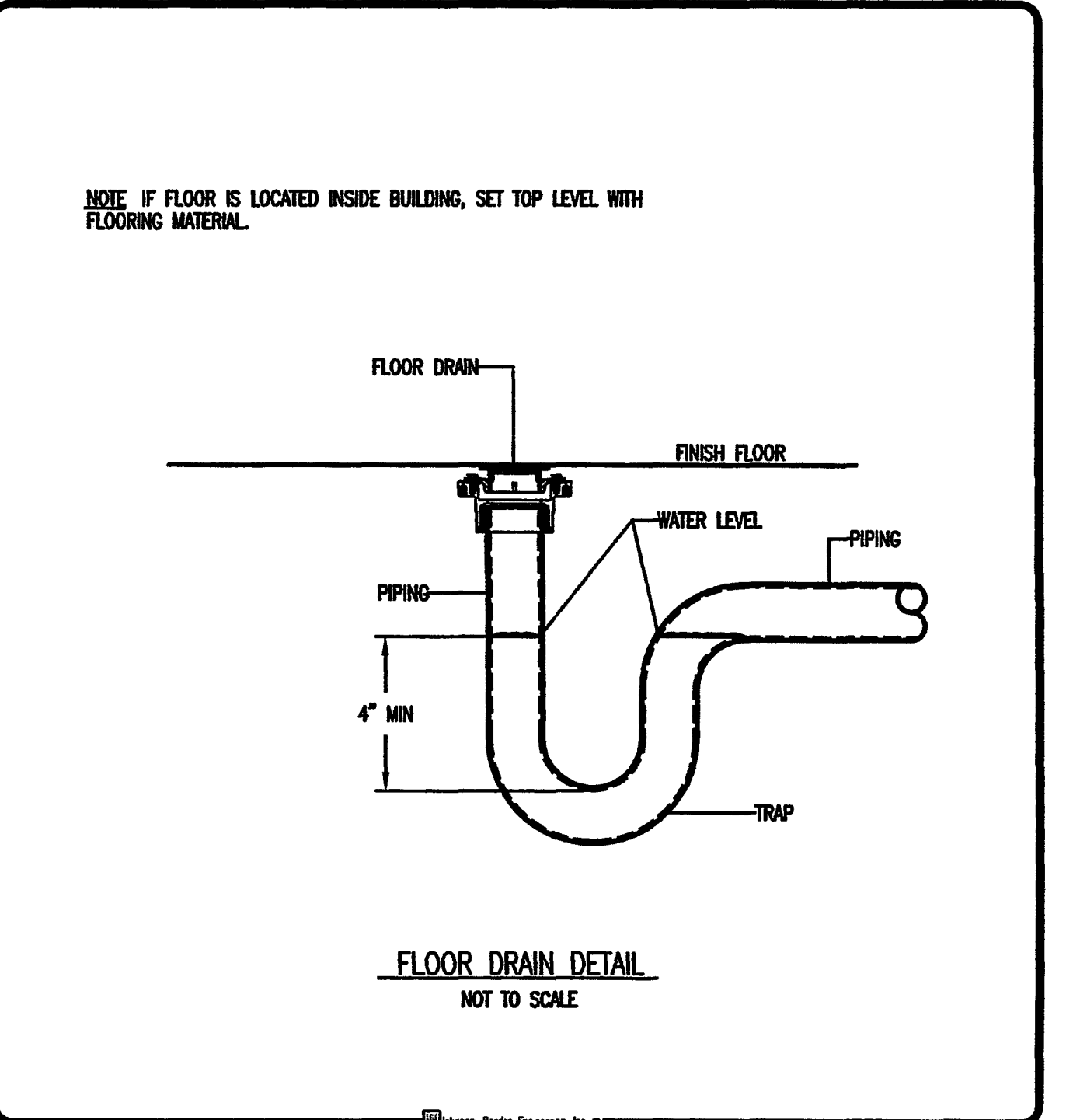
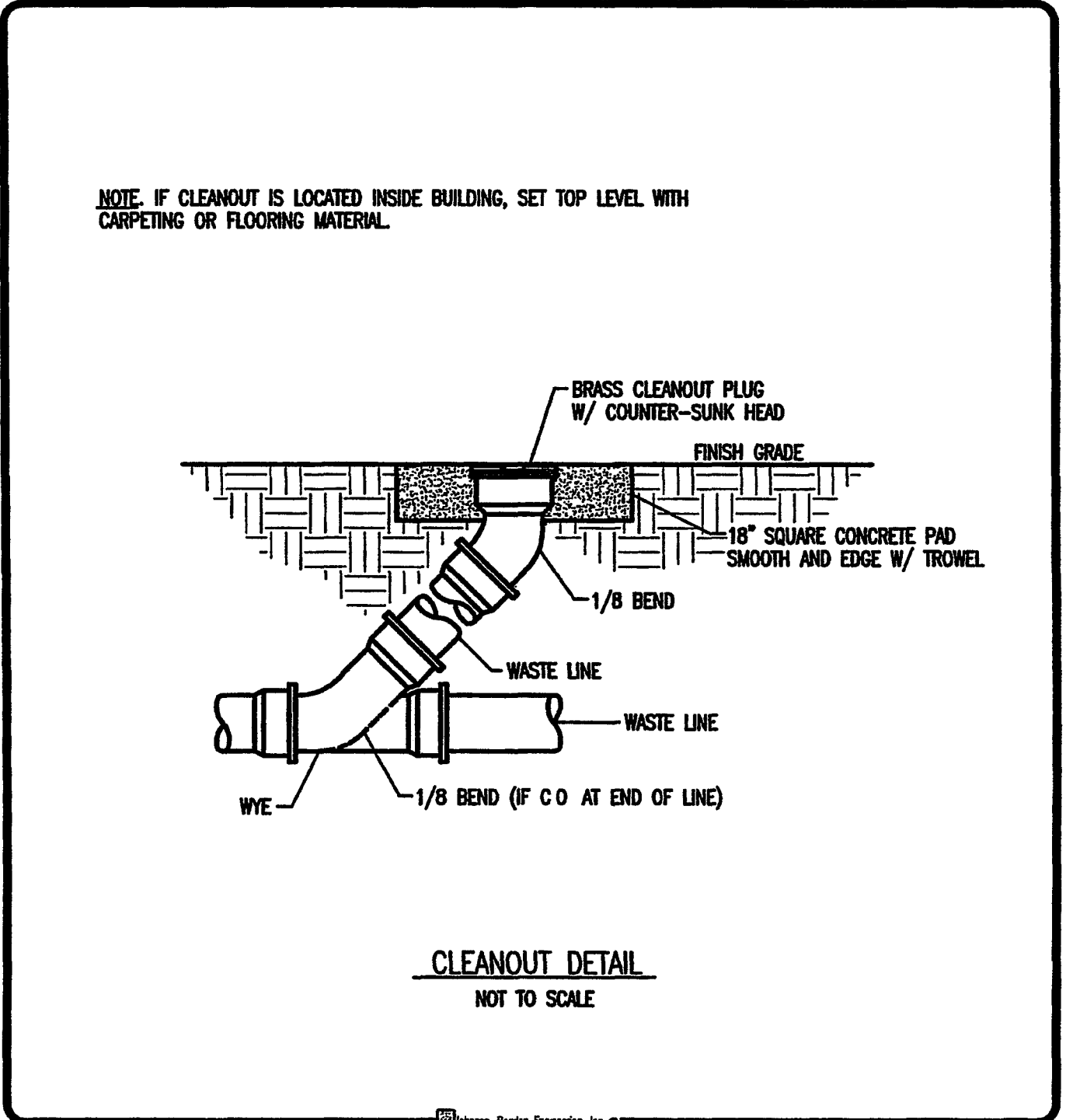
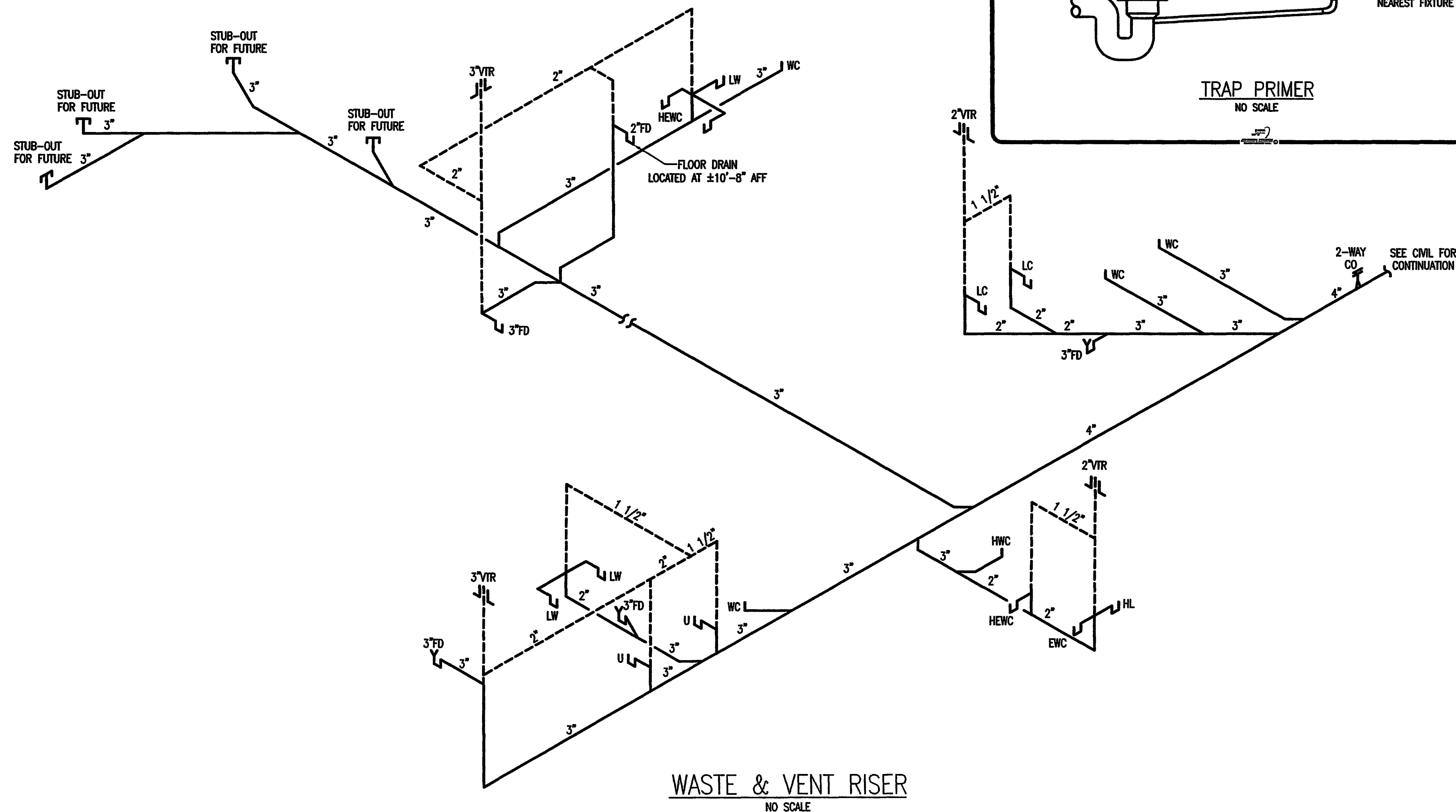
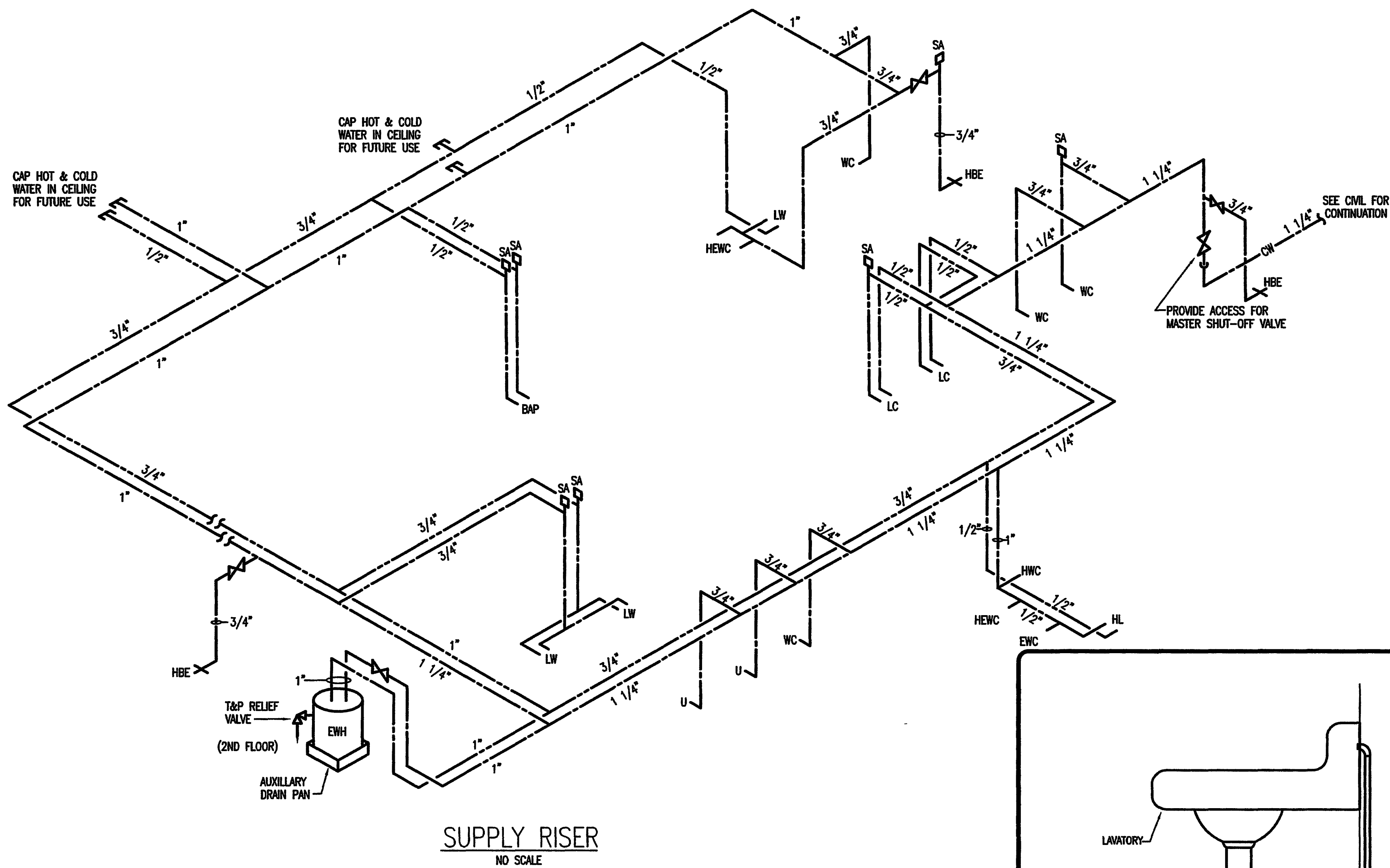
CENTRAL BAPTIST CHURCH
 FORT WALTON BEACH, FLORIDA

PROJECT NO 0619
 DATE 04 MAY 07
 DRAWN BY SAG
 CHECKED BY JMW, JR

P101

24 OF 32

PROPRIETARY RIGHTS CLAUSE: INFORMATION AND DATA CONTAINED ON THIS DRAWING IS CONFIDENTIAL AND SHALL NOT BE USED WITHOUT PRIOR WRITTEN PERMISSION BY ANY ENTITY NOT HAVING A CONTRACTUAL RELATIONSHIP WITH THE ARCHITECT. THIS LEGEND SHALL BE MARKED ON ANY REPRODUCTIONS HEREOF IN WHOLE OR IN PART. KENDRICK DAVID DOWLING ARCHITECTS, INC. © COPYRIGHT 2007



JOHNSON PEADEN ENGINEERING, INC.
 11 Miracle Strip Parkway SW
 Fort Walton Beach, FL 32548
 850.244.8199 / 850.244.0548
 jpead@johnsonpeaden.com
 213 West 6th Street
 Panama City, FL 32401
 850.215.4068 / 850.215.4088
 jpead@johnsonpeaden.com
 ALICD-2429-E PLR0009014 GAPEF00983 MSIE-0000882
 PROJECT NO 0819
 DATE 04 MAY 07
 DRAWN BY SAG
 CHECKED BY JWA, JR
 JPE Job Number 0719

KENDRICK DAVID DOWLING ARCHITECTS, INC.
 111 FERRY RD SE FT WALTON BEACH FL 32568
 TEL: (850) 865-5455 FAX: (850) 865-5474

JAMES D. DOWLING, AIA
 ARCHITECT
 JAMES W. MATTERS, JR., AIA
 ARCHITECT

PLUMBING RISERS & SCHEDULES

CENTRAL BAPTIST CHURCH
 FORT WALTON BEACH, FLORIDA

PROJECT NO 0819
 DATE 04 MAY 07
 DRAWN BY SAG
 CHECKED BY JWA, JR

P201